

Checkmate XP

Multi Door Access Control Panel



New !!
DVR Integration
with Access Control

Checkmate XP

Checkmate XP is the Next Generation Multidoor Cost Effective Access Controller. It manages upto 16 Proximity/Smart Card Reader (Weigand Compatible) installed at various doors in an organization. The low cost, small, attractively packaged front end Readers are connected to the Controller in a Star Connection and the Lock release output is driven from the Controller itself. Hence no intelligent hardware is required at the door end.

Checkmate XP provides a field configurable intelligent Engine for taking care of any organization's access control requirement. The controller can be configured using a frontend Software, COMPRO XP. Once the Checkmate XP is configured, all the Access decisions are taken by the controller making it truly a standalone system independent of PC. It can be used in on-line mode for larger PC Controlled Building Management System. Multiple Checkmate XP's can be networked on a RS485 bus or on a Ethernet Network with suitable hardware for larger application.

Card Reader Technology

Finger Print Reader

The Finger Print Reader integrated with Contact less Smart Card Reader is used as front end reader at the door. Upon card show, the reader reads finger template from Smart Card and is authenticated with the live finger before the Access validation.

Contactless Smart Card Reader

Contact less Smart card Reader works onRF Technology. The Smart card is Read/Write type & can store Finger image for stringent Access Control. MicroSMART Reader has a read range of 60mm.

Proximity Card Reader(RF ID)

Proximity Reader is based on 125 KHz Rf- technology and reads the Proximity cards on show within reading range. The Entry level MicroPROX or HID Proxpoint reader has a reading range of upto 3".

Cards

Proximity cards/Smart cards compatible to respective readers need to be used. The size of the Card is as per ISO Standard i.e. 85 X 54 mm. The card can be read even if it is kept in Valet, within the read range.

Hardware Features

16 Reader Interface

Panel supports 16 Weigand Reader interface. The Reader type supported is Proximity or Smart Card reader. Readers draws power from the panel and individually be upto 100 m cable distance from Panel.

16 Relay Output for Lock Operation

The relay outputs are available for Lock Release, & is tagged to one or more Reader for door operation as per requirement. 12V wet contact can be provided from the Bulk Power Supply for Lock operation.

16 Exit Push Switch Input

There is a provision for 16 Exit Push Switches & is paired with the lock, it is going to release. The switch is normal Push Button offering momentary contact. The lock is operated upon usage for Lock On-Time.

16 Lock Feedback Input

For monitoring the status of the Door (i.e. Open or Close), Lock feedback input is used. The Lock feedback is paired with a lock. It is also useful for Turnstile, for locking the same upon rotation.

3 General Purpose Input (GPI)

There is a provision for Potential free contact inputs, which can be input from Fire/Intruder Alarm panel and can be programmed to make the Controller Fail Safe/Fail Secure, in emergency situation.

3 General Purpose Output (GPO)

The General purpose outputs are available for Alarm annunciation in case of emergencies. The GPO's are paired with GPI's. Potential free contact may be optionally provided.

Bulk Lock power Supply

A Bulk 12V Power Supply is centrally connected to the controller to power the locks thereby removing the necessity for power supplies near lock.

Cabling

6 core multi strand (each core 14/36) shielded cable for Reader is used. One Pair each of electrical multi strand cable (each core 1.5 sq mm) is used for Lock operation, Lock Feedback (DOTL) and Exit Switch. These cable runs from each Door to Controller. Cable length should be within 100 m.

Firmware Features

ACCESS GROUP : 16 Access Groups may be defined. Each Access Group are associated with one or more locks. One or more Readers/Exit switches are linked to a lock in an Access Group.

ATTENDANCE GROUP : Attendance Group is used for recording Employee Attendance and accepts all cards during all time. The data is used later for Attendance Report generation.

GROUP ANTIPASS BACK : Enable / Disable for each Access Group. Hard Antipassback : No exit w/o entry, violation alarm. Soft Antipassback: Exit with violation alarm.

TIME ZONE : 4 user defined Time zones per Access Group. The Time Zones could be Enabled/Disabled for Holiday/Weekly off. "ALLOW ALL" Time Zone is possible for rush hours.

CARD HOLDER DATABASE : Each Access Group has its own set of Card Holders linked to one or more Time Zones for the Group. Card holder can be member of Multiple Access Groups. Upto 2000 ID over all the Access Groups.

VISITOR DATABASE : A visitor based on entry from the Central Computer would have access defined based on the Access Group. The Access rights can be withdrawn upon visitor leaving. Upto 100 visitor ID database may be defined.

HOLIDAY DATABASE TABLE : 30 Holiday Dates & a Weekly off Day can be defined for barring Access. Upto 100 card holders can be provided access irrespective of Holidays based on their default Access Groups & Time Zones.

HOLIDAY MASTER CARD : For Card holders not included in Holiday Database Table, requiring entry on holiday/weekly off in their Time Zone, Master Card needs to be shown before the Card Holders card. Upto 8 holiday master cards per Access Group may be defined.

DOOR OPEN TO LONG (DOTL) : If the Door feedback input connected to the controller is ON for a period longer than the Lock on - time, Alarm is raised & stored. This may be used for on-line monitoring of doors on central Computer.

LOCK ON-TIME : Lock on-time for door opening after Card Show is User Settable. The Lock shuts after this time. This can be used with DOTL feature for exception monitoring.

EMERGENCY OPERATION : All Doors are opened based on Fire Alarm / closed in case of Burglar Alarm Panel Input. Resetting of Alarms results in normal operation. All alarms are logged.

ACCESS RIGHTS EMERGENCY OPERATION : Card Holders can be temporarily Enabled/disabled from the Card Holder Table in the Controller. This feature is useful in case of ID card loss.

EMERGENCY LOCK OPEN : Central Computer can open a lock remotely with authorization. All such events are logged.

COMPUTER CONNECTIVITY

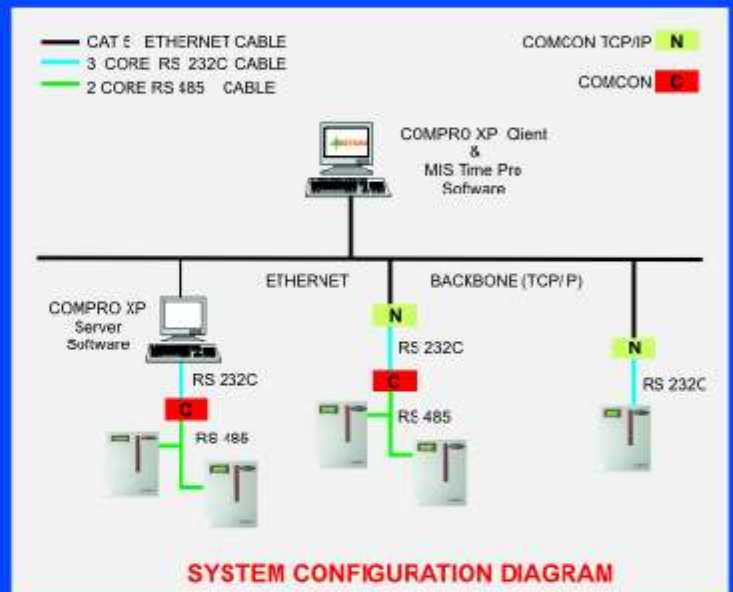
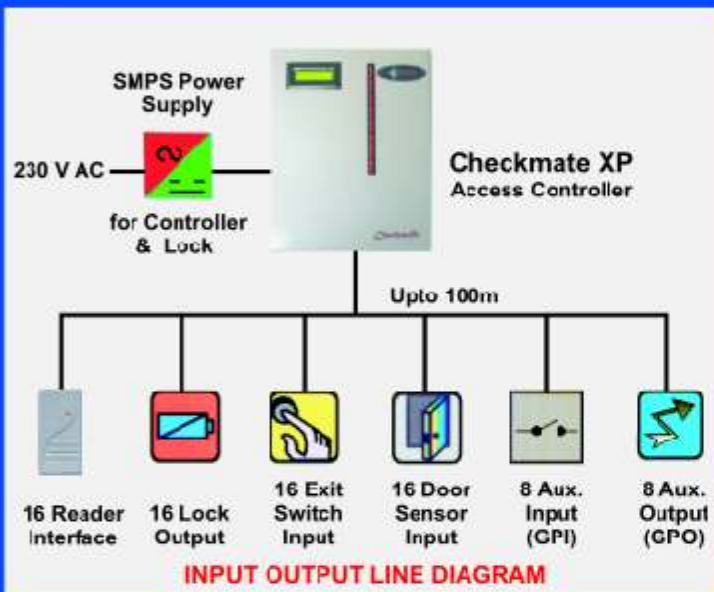
Computer can be connected to a single Controller within 15 m using RS232, or multiple controllers thru' RS485 upto 1.2 Km in bus topology or thru' a add on Ethernet interface for plugging into the TCP/IP network. Refer to the System Configuration Diagram for understanding. The COMPRO XP software on the Computer is used for accessing all the Hardware and Firmware features.

COMPRO XP : Configuration, Data Capture & Report Generation Software

Compro XP is WINDOWS based system software. It configures Checkmate XP to the user's requirement also captures the transaction data and generates reports for First In Last Out, Movement Report, Access Reports for Access Groups, Visitor IN-OUT reports etc.. COMPRO XP can capture data in a continuous manner, On-line mode or in a Batch-mode collecting the data from the controller once in a while manually. Data is available in tables for user to create his own reports or to link to their HR/Attendance/ Payroll package. It can be used with MIS Time Pro software also.

MIS Time Pro ENTERPRISE : WINDOWS based Attendance Monitoring Software (Optional)

- Multi Company Support
 - Badge Reader Data Transfer / No Clock option for Manual Attendance
 - Unlimited Shift Timing
 - Multi Shift Operation with Shift Rotation based on user definable Patterns*
 - Manual Shift Allocation & Shift Exception Handling
 - Unlimited Leave Types with individual Properties
 - Leave Groups for Variable Leave Allowance*
 - Leave Earnings/Encashment/Arrear/Adjustment feature
 - Unlimited Holiday Dates with allocation based on Holiday Group*
 - Overtime Computation and Validation(Pre or Post OT sanction)*
 - Tour/Site Duty Processing
 - Late Rules with deduction slabs based on late time*
 - Reports:
 - (a) Daily Attendance/Movement Reports in various Report formats
 - (b) Periodic Reports for a range of dates e.g. Shift Roster, Monthly Muster Roll, Overtime Report, Individual Attendance Card, Payroll Update etc.
 - (c) Leave Reports e.g. Leave Ledger, Annual Leave Card and Leave Query.
- * Features not available on MIS TIME Pro Lite.



TECHNICAL INFORMATION

CPU : High Performance 16 bit Microcontroller
Memory : 12500 Transaction Data Storage with ID #, Date, Time and Access Information. Separate table for Event Storage
Battery Back-up : Retention of Clock & Data upto 10 years
Communication : RS232C or RS485(Isolated)
 (Ethernet or Modem Connectivity using additional hardware)
Data Upload Speed : 1000 Records/Minute(9600BPS)
Display : 16 Character X 2 Lines Backlit LCD Display
CPU Power : Wide Range SMPS(70V to 260V@50Hz +/-5Hz, 5W)
Lock Power : Separate 12V, 10 Amp Bulk Power Supply for Locks
Card Reader Interface : 16 Nos. Reader 26/34 bit Weigand interface
Relay Output : 16 Potential Free/12V Wet Contact O/P for Locks
Exit Switch : 16 Exit Switch Input Interface
Lock Feedback : 16 Door Open Sensor Interface for Lock Feedback
General Purpose Input/Output : 8 GPI and 8 GPO(TTL Level)
Dimension : 380(H) X 300(W) X 80(D) mm
Enclosure : Dust Resistant, Corrosion Free Aluminium Casing
Colour : Powder Coat Metalic Silver Colour
Operating Temperature : 0-50 Degree Centigrade
Modularity : 2 Box Design (Controller & Power Supply Box)

ORDERING INFORMATION

Checkmate XP : Access Controller with 16 Reader I/F, 16 Relay Output
Checkmate XP/8 : Access Controller with 8 Reader I/F, 8 Relay Output
UPS with Battery : UPS with battery for 2 Hour Back-up
Bulk Lock Power Supply : 12V DC/5Amp. SMPS for powering Locks
MicroTIP : Integrated Finger Print and Contactless Smart Card Reader
MicroPROX : Proximity Card Reader with Read Range upto 3"
MicroSMART : Contactless Smart Card Reader (Read Range upto 3")
DVR XT : PC based 4 Channel DVR Card
DVR XP : PC based 8 Channel DVR Card
COMCON : RS232C to RS485 Converter
COMCON TCP/IP : RS232C to Ethernet Converter on TCP/IP Protocol
COMPRO XP : Configuration, Data Capture and Reporting Software
DVR XS Online : Online Access Control Software with DVR Integration
COMPRO XP : Configuration, Data Capture and Reporting Software
MIS Time Pro LITE : Time Office Management Software
MIS Time Pro Enterprise : Time Office Management Software for Factory
eTIME Pro : Web based Time Office Management Software
ID Card : (a) Proximity Card (b) Contactless Smart Card
Door Lock : (a) Striker (b) EM Lock (c) Turnstile (d) Drop Bolt (e) BUZZER
Cable : (a) Reader Cable (b) Communication cable (c) Lock Cable
Accessories : (a) Exit Switch (b) Door Sensor

* Specifications are subject to change without notices.