

Gateway 2000 Series

TIME ATTENDANCE SYSTEM



GATEWAY-2000 is a Computerised Attendance Recording Terminal with an ID Card Reader. All the exacting demands of the Time Office are packed into this Microcontroller based product, which has the capacity to cater to large factories and organisations. With a casual swipe of the ID Card, the Employee IN & OUT times are stored as Soft Data. These Data are uploaded to a PC for Time Office related reports and Payroll Generation thus automating the Time Office. This removes the manual drudgery of Data Entry, Register maintenance and monthly requirement of Punch cards for conventional Time Clocks.

MAN-MACHINE INTERFACE

The user & machine interaction is kept to a fraction of a second for reading the Id cards. FORTUNA offers a range of technologies in its Card Readers.

BARCODE READER



The most widely accepted technology has the advantage of non-contact sensing using Infra-Red Sensor. The ID cards are read by swiping the card through the reader. The codes are immune to Electro-Magnetic Interference and wear & tear in dusty open environments.

PROXIMITY READER



Proximity Reader is based on the technology of using Radio Frequency (RF) and reads the ID Cards on show within reading range of 3". Here there is no need for maintaining orientation of the card.

CONTACT LESS SMART CARD READER



These are Contactless cards with built in memory & works at 13.56MHz, based on MIFARE technology. They have the capacity to store the complete HR information of an employee including his thumbprint, access control rights, paid/unpaid amenities etc. This is useful for campus solutions.

UNINTERRUPTED POWER

Power is the most varied & uncertain aspect in the industry and to maintain secure & uninterrupted operation, a Switched Mode Power Supply is used to handle wide Voltage & Frequency variation.

The transaction Data are backed by Lithium Battery in order to keep the data intact even without power (for upto 10 years).

In case of power failure, the in-built maintenance free Battery provides the power for operation of the terminal for upto 24 hours.

DISTRIBUTED LOAD SHARING

The following connection topology may be used :

All the Gateway 2000's connected on RS485 Data Highway gets terminated to the RS232C(COM Port) of Host PC through a COMCON, RS485 to RS232C converter. This Data Bus works on twisted pair shielded cable in Multidrop Topology ensuring minimum cabling.

Depending on the geography of a place, it may be required to have multiple RS485 Networks having multiple Gateway 2000 connected to the Master Computer(Star network). Multi Port Serial Card is needed in the computer in this topology.

The Gateway2000's can be connected on the Plantwide Ethernet Backbone using a Ethernet (UTP) to RS 232 converter, COMCON TCP/IP.

Any PC on an Ethernet network can download the transaction data from the Gateway 2000 terminals connected to the Serial Port of another PC on the network.

In case of a Remote installation, the transaction data can be downloaded through MODEM using telephone line.

Comcon Web Server

Fortuna Offers an embedded Web-Server for interfacing with Attendance & Access Control Products . Using a Web Browser like IE , Netscape or Opera, a user can thru Internet(using Static-IP), Intranet or VPN can log into the Attendance and Access Control Hardware. Web based facility is provided for checking current attendance , movement of employees etc thereby providing a handy tool for Project/Deptt. Heads.

Following features may be used on our web-server

- 1) Employee Maintenance : Company,Deptt.,Employee ID
- 2) Terminal Maintenance : Scan/Status
- 3) Attendance Maintenance : Attendance report with facility for Filtering based on Company/Deptt

System Features

VALIDATION TABLE

ensures that accredited people are only allowed Attendance. A table of upto 3000 ID can be programmed at will.

TIME MASKING

facilitates acceptance of the attendance only during particular time slots to filter out persons who are late comers or early goers.

EMPLOYEE MASKING

feature may be used to reject certain ID codes, ensuring it does not store those Cards on usage.

REASON MASTER

is meant for assigning a reason for person who uses the Reason Master Card along with his card. It can flexibly be used for Reasons such as "Exit For Official Work" or even "Choice of meals at Canteen" etc.

MESSAGE DISPLAY

flushes the message against a ID code or even against all ID codes (Bulletin Board).

SIREN INTERFACE

is for signaling Start and End of shift automatically upon shift timing programming.

ACCESS CONTROL

feature may be used to interface Electro-Mechanical Turn Stile/ EM lock for Controlled Access.

MODEM CONNECTIVITY

Feature may be used for data downloading to PC through Telephone Line for Remote Installation.

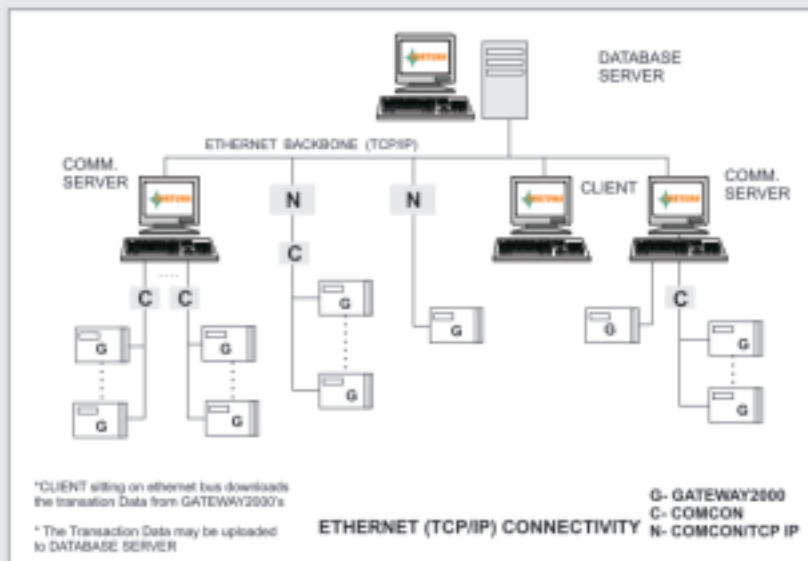
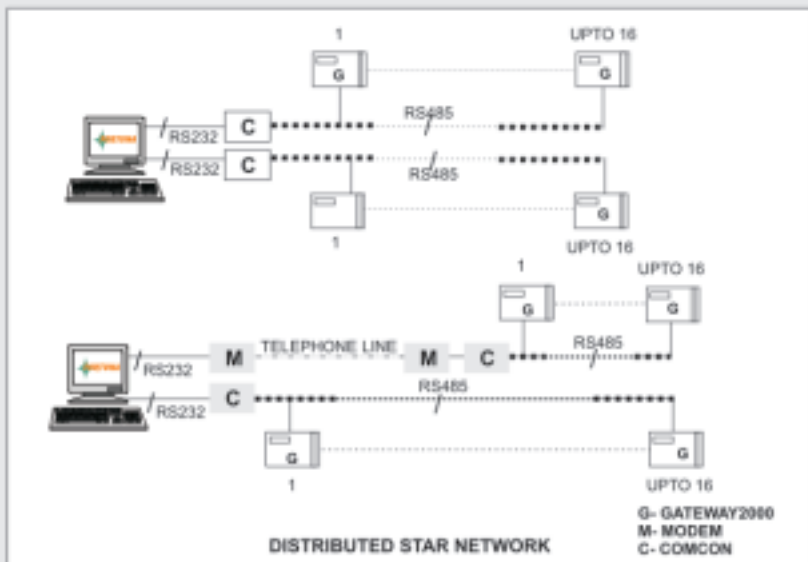
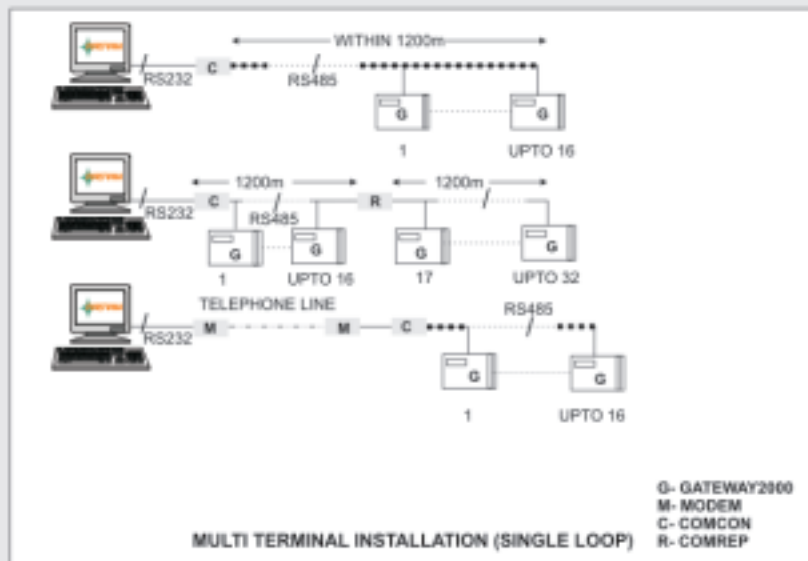
TCP/IP CONNECTIVITY

Feature allows the Gateway2000 to be a drop on your Plantwide Ethernet Network.

Gateway 2000

@ATTENDANCE SYSTEM

TOPOLOGY LAYOUT



eTIME Pro: Web based Attendance Management Software

eTIME Pro is a Web based Attendance Management Software & meant for Corporates/IT enabled companies to harness the power offered by 3-Tier architecture. It can be loaded on an Internet Server on Web or on an Intranet Server. Any Computer or Thin Client having a Web Browser (no Client software required!!) can be used with proper User authentication. The software has a user friendly interface . The software works in the following manner . A PC would poll the data from the Attendance Terminals and push the raw data to the Server (as shown) for online update of the database residing on the Server. The back end processing of the raw data happens automatically without any user intervention. The system is fully configurable & no customization is required for most users.

eTIME Pro takes care of all time Office related functions such as Master Maintenance, Processing of Attendance Data from Attendance Terminals, Manual Attendance, Leave, Tour/On-Duty input, Over Time Calculation & sanction, Shift Rotation, Late Rules etc. This provides host of Daily, Periodic & Yearly Reports related to Time Office. It also provides the data required for Payroll Calculation.

TECHNICAL INFORMATION

- ◆ CPU : 89C52@ 11MHZ
- ◆ Memory : 128 KB RAM(30000 Records Storage)
- ◆ Watch Dog timer : Yes
- ◆ Battery Back-UP: Retention of Clock & Data upto 10 years in absence of power
- ◆ Communication : RS232C or RS485(Isolated)
- ◆ Data Upload Speed : 1000 Records/minute (under DOS)
- ◆ Display : 16 Characters x 2 Line wide Angle backlit Alphanumeric LCD
- ◆ Power: Switch Mode Power Supply: 170V to 260V @ 50Hz +/- 5Hz, 25 VA
- ◆ Uninterrupted power : Using 7 AH Maintenance Free Battery for 24 Hours Backup
- ◆ Relay O/p : 1 Potential Free Contact o/p
- ◆ Dimension : 140(H) X 210(W) X 45(D) mm
- ◆ Mounting : Wall/Panel Mounting
- ◆ Casing : Dust Resistant Corrosion Free, Metal Enclosure
- ◆ Operating Temperature : 0-50 Degree C
- ◆ Modularity : 2 Box Design

ORDERING INFORMATION

- ◆ Gateway 2000 : Attendance Terminal with Bar code Reader
- ◆ Gateway 2000_Pro : Attendance Terminal with Proximity Reader
- ◆ Gateway 2000_Smart : Attendance Terminal with Contact less Smart Card Reader
- ◆ COMCON : RS232C to RS485 Converter
- ◆ COMCON TCP/IP : RS232C to Ethernet Converter
- ◆ COMCON WIFI : RS232C to WiFi Converter
- ◆ COMCON Web Server : Web Server Converter with TCP/IP
- ◆ COMPRO 2000 : Communication & Configuration Software
- ◆ TIME Pro LITE : Time Office Report Generation Software
- ◆ eTIME Pro : Web based Time Office Software
- ◆ PayLITE : Payroll Calculation & Generation Software
- ◆ ID Card : (a)Bar Code (b)Proximity (c)MIFARE Smart Card
- ◆ Door Lock : (a) EM Lock (b) Turnstile (c)Strike (d) Drop Bolt
- ◆ Cable : (a)RS232C Cable (b)RS485 Cable (c)Ethernet (d)Lock
- ◆ Accessories : (a)Exit Switch (b) Door Sensor

*Specifications are subject to change without notice.

FORTUNA
IMPEX PTE LTD
 info@fortunaindia.com
 www.fortunaindia.com
 (91)(33)2282 2270
 Fax:(91)(33)2282 2268